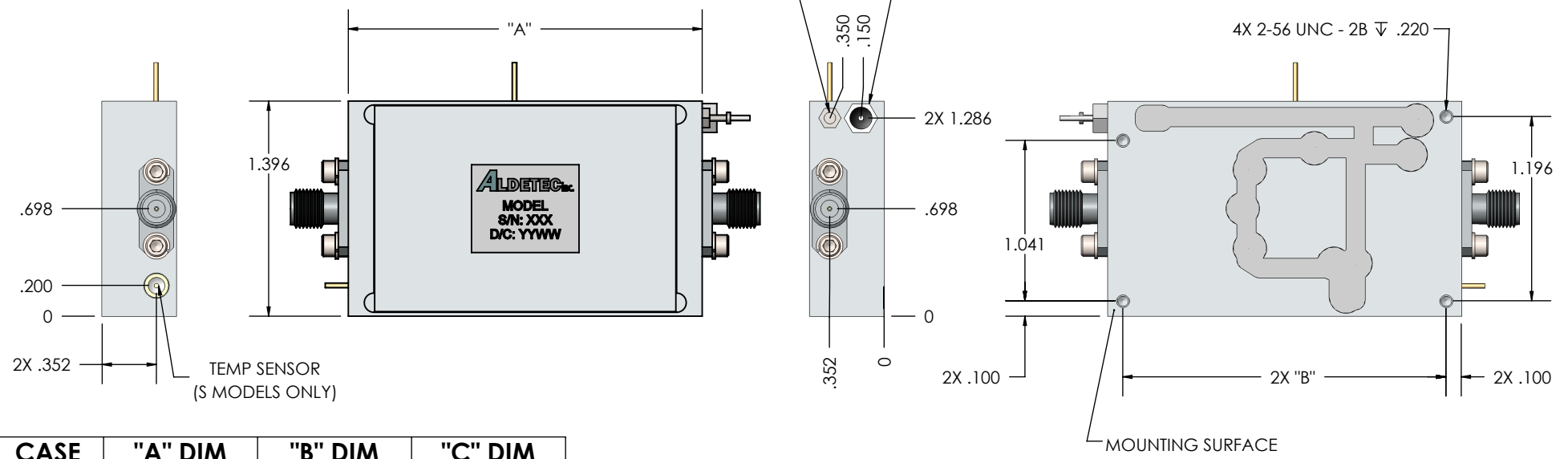


VARIOUS FUNCTIONS AVAILABLE
(EF MODELS ONLY)

GROUND

DC INPUT



CASE	"A" DIM	"B" DIM	"C" DIM
P-4	2.050	1.850	-
P-4D	2.298	2.098	-
P-4DEF	2.298	2.098	1.079
P-4DEFS	2.298	2.098	1.079
P-4EF	2.050	1.850	1.079
P-4S	2.050	1.850	-
P-6	2.546	2.346	-
P-6D	2.546	2.346	-
P-6DEF	2.546	2.346	1.575
P-6DEFS	2.546	2.346	1.575
P-6EF	2.546	2.346	1.575
P-6S	2.546	2.346	-

CONNECTOR	"Z" DIM
SMA-F	.38
SMA-M	.51
2.92mm-F	.38
2.92mm-M	.52

ALDETEC inc. 3560 Business Drive, Suite 100
Sacramento, CA 95820
(916) 453-3382

TITLE:

P SERIES OUTLINE