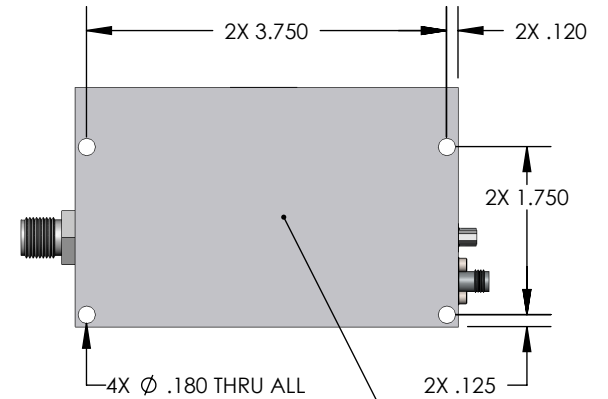
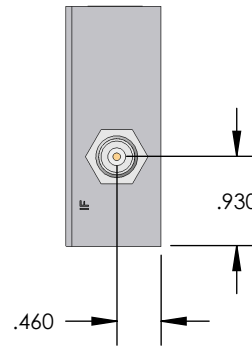
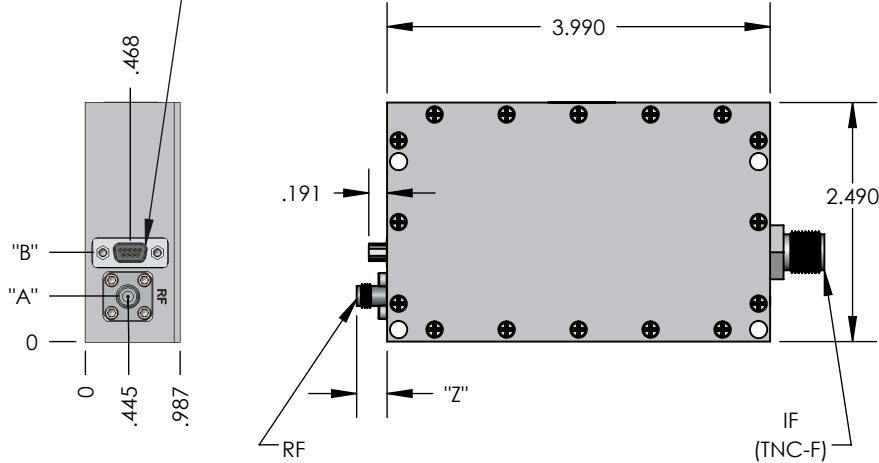




9-PIN MICRO-D PER MIL-DTL-83513/03



MOUNTING SURFACE

TYPICAL 9-PIN MICRO-D FUNCTIONS

PIN NUMBER	FUNCTION
1	DC INPUT -
2	DC INPUT -
3	DC INPUT +
4	DC INPUT +
5	BAND SELECT
6	STATUS
7	NC
8	NC
9	NC

CONNECTOR	"Z" DIM
SMA-F	.32
SMA-M	.45
2.92mm-F	.32
2.92mm-M	.46

CASE	"A" DIM	"B" DIM
DOWN-CONVERTER	.475	.930
UP-CONVERTER	2.015	1.560

ALDETEC inc. 3560 Business Drive, Suite 100
Sacramento, CA 95820
(916) 453-3382

TITLE:

CWS OUTLINE