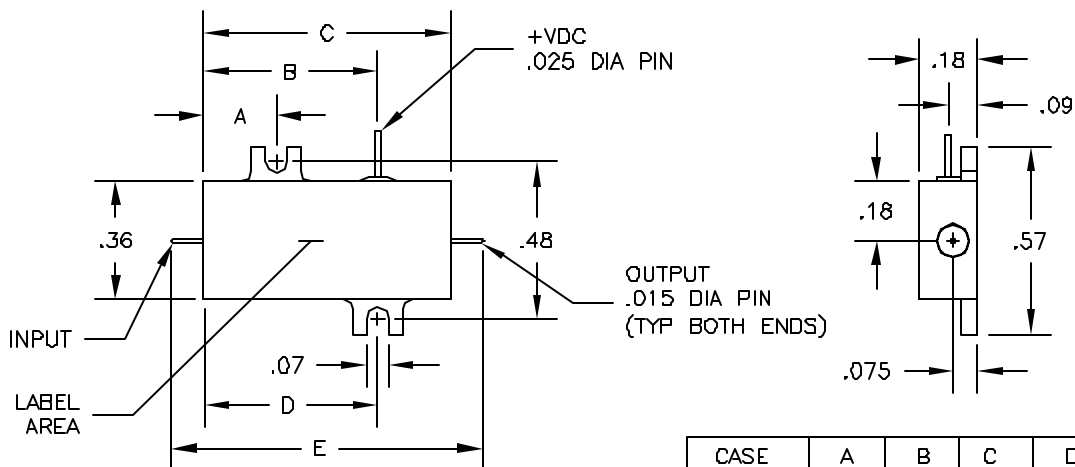
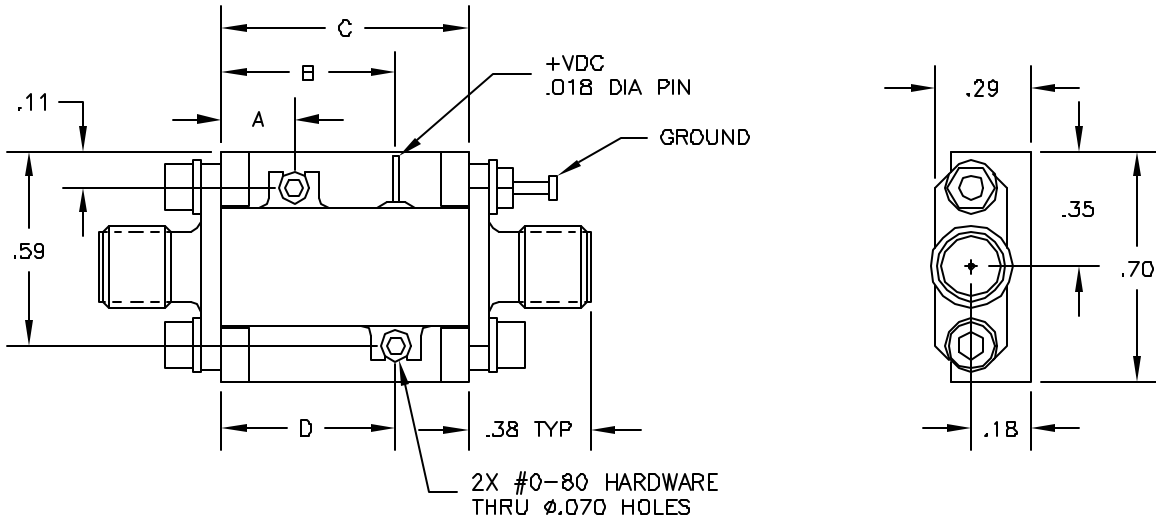


REVISIONS			
REV	DESCRIPTION	DATE	APPROVED



CASE	A	B	C	D	E
ALQ-2	.16	.28	.43	.27	.63
ALQ-3	.16	.32	.53	.38	.73
ALQ-4	.22	.43	.64	.42	.84
ALQ-5	.22	.53	.75	.53	.95
ALQ-6	.22	.64	.86	.64	1.06
ALQ-7	.22	.75	.97	.75	1.17
ALQ-8	.22	.86	1.08	.86	1.28

NOTES, UNLESS OTHERWISE SPECIFIED:

1. ALL TOLERANCES ARE BEFORE PAINT AND LABELING.
2. TOLERANCES ARE: XX ± .020  
XXX ± .010
3. RF CONNECTORS ARE SMA FEMALE.
4. INTERPRET DRAWING PER ASME Y14.5M-1994.
5. THESE AMPLIFIERS CAN BE USED AS "DROP-IN" BY REMOVING SMA CONNECTORS AND MOUNTING HARDWARE AS SHOWN.

<b>ALDETEC INC.</b>			
TITLE <b>ALQ SERIES CASES</b>			
SIZE A	FSCM NO.	DWG NO. XXX	REV —